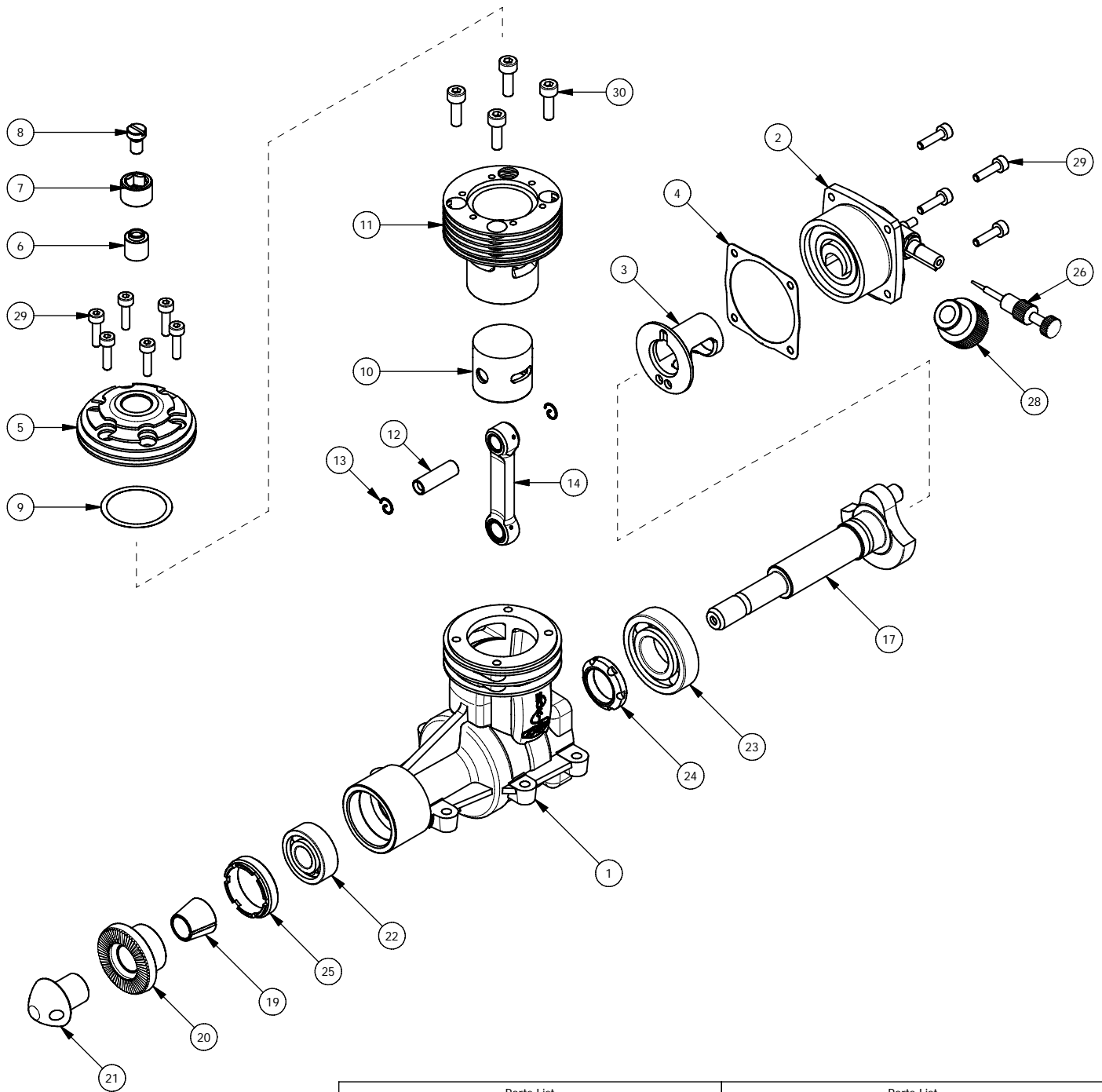
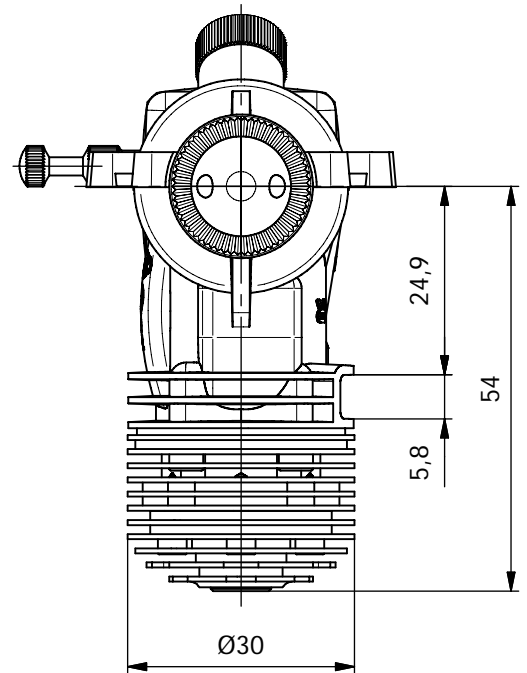
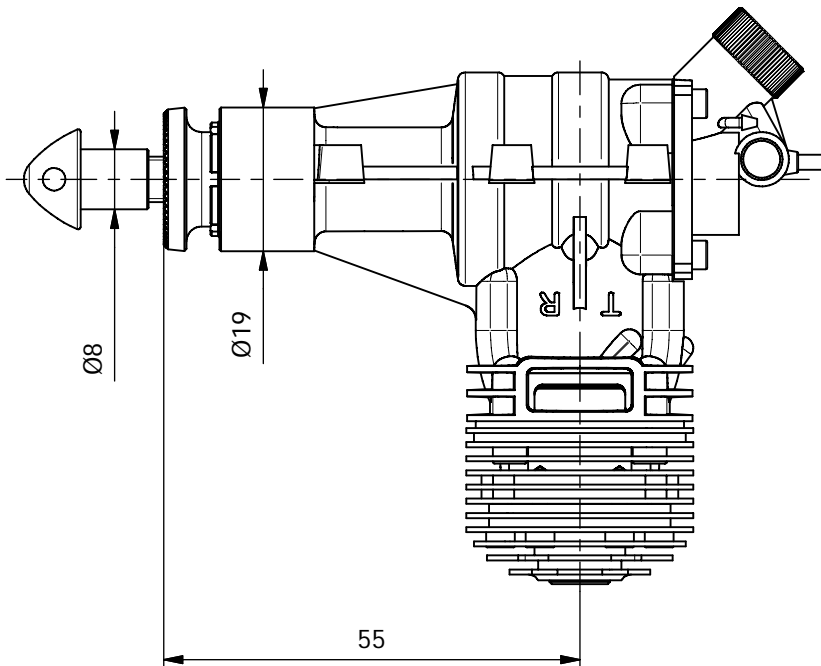
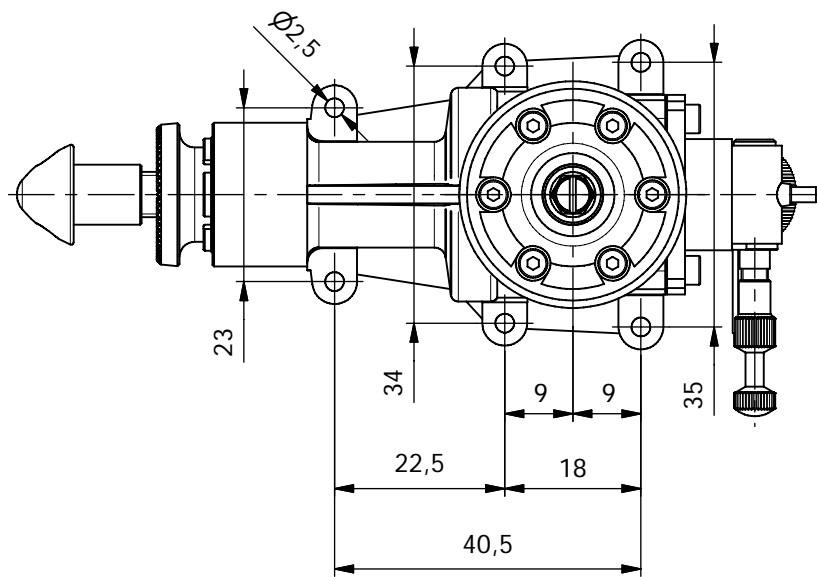


MOKI TR-Cobra Team Racing engine's exploded drawing:



Parts List				Parts List			
ITEM	PART NUMBER	DESCRIPTION	QTY	ITEM	PART NUMBER	DESCRIPTION	QTY
1	015.0.01.1	Crankcase	1	14	015.0.10.1	Con rod	1
2	015.0.03.1	Valve support	1	17	015.0.11.1	Crankshaft	1
3	015.0.03.2	Rotary valve	1	19	015.0.12.1	Drive cone	1
4	015.0.03.3	Back gasket	1	20	015.0.13.1	Prop drive hub	1
5	015.0.04.1	Head	1	21	015.0.15.1	Prop nut	1
6	015.0.04.2	Kompression piston	1	22	015.0.16	Front bearing	1
7	015.0.04.3	Compression adj.	1	23	015.0.16.1	Back bearing	1
8	015.0.04.4	Pulling screw	1	24	015.0.16.2	B. bearing fixing	1
9	015.0.05.3	Head gasket	1	25	015.0.17.2	F. bearing fixing	1
10	015.0.07.1	Piston	1	26	015.0.57.1	Needle valve	1
11	015.0.07.2	Cylinder	1	28	015.0.60.1	Ventury	1
12	015.0.08.1	Wrist pin	1	29	ISO 4762 - M2 x 8	Back & head screw	10
13	015.0.09.1	Wrist pin clips	2	30	ISO 4762 - M2,5 x 8	Cylinder screw	4

MOKI TR-Cobra Team Racing engine's dimensions:



Specifikations:	
Displacement:	2,49ccm
Bore:	15,05mm
Stroke:	14mm
Weight:	___g